



300-615^{Q&As}

Troubleshooting Cisco Data Center Infrastructure (DCIT)

Pass Cisco 300-615 Exam with 100% Guarantee

Free Download Real Questions & Answers **PDF** and **VCE** file from:

<https://www.pass4itsure.com/300-615.html>

100% Passing Guarantee
100% Money Back Assurance

Following Questions and Answers are all new published by Cisco
Official Exam Center

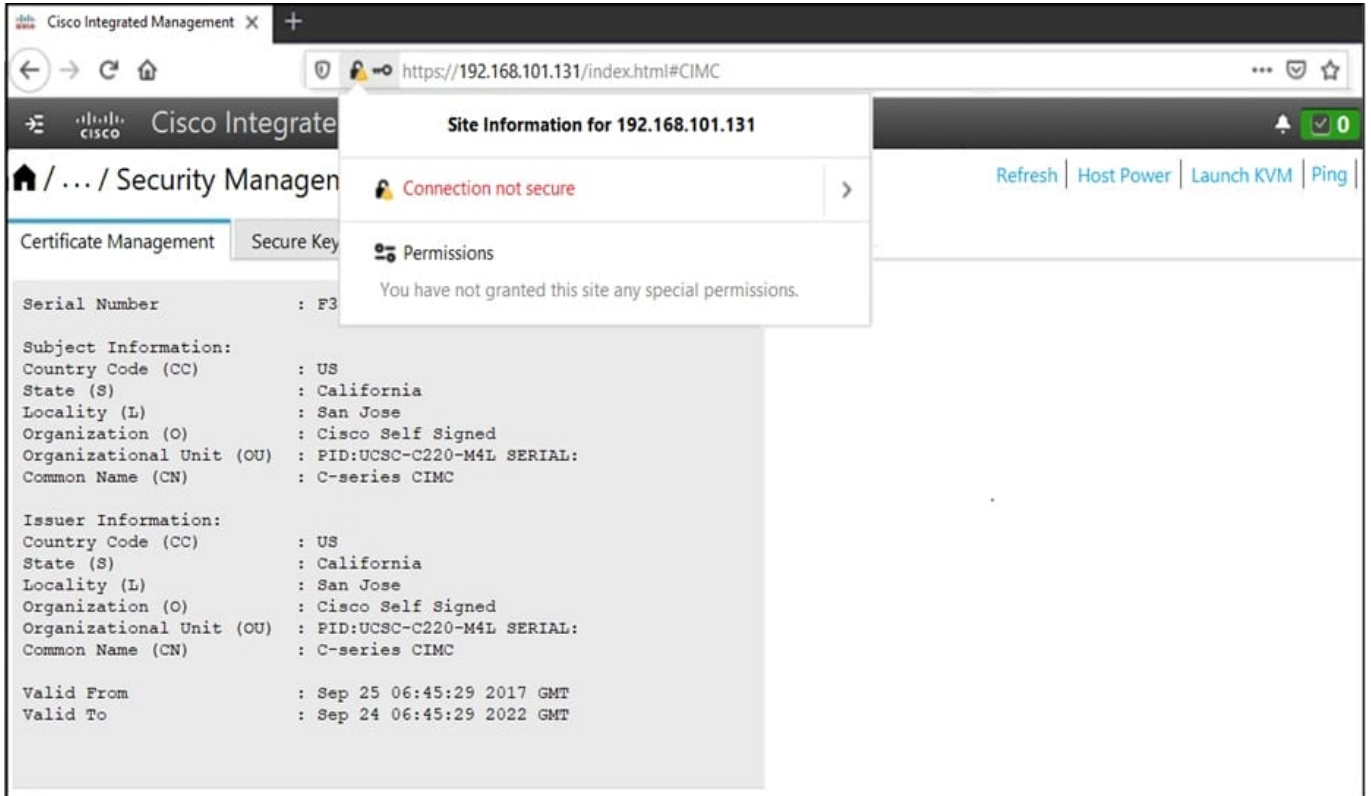
-  **Instant Download** After Purchase
-  **100% Money Back** Guarantee
-  **365 Days** Free Update
-  **800,000+** Satisfied Customers





QUESTION 1

Refer to the exhibit.



An engineer cannot log in to the Cisco IMC page of the Cisco UCS C220 server. Which action resolves the issue?

- A. Set the FQDN of the Cisco IMC webpage login page instead of the IP address for the connection to be secure.
- B. Use the DNS of the Cisco IMC webpage login page instead of the IP address for the connection to be secure.
- C. Replace the self-signed certificate that is installed on the Cisco IMC with a server certificate that is signed from the client corporate certificate.
- D. Replace the self-signed certificate that is installed on the Cisco IMC with a user certificate that is signed from the client corporate certificate.

Correct Answer: C

QUESTION 2

DRAG DROP

Drag and drop the commands from the left onto the correct categories on the right.

Select and Place:



```
switch# run bash
bash-4.2$ vsh -c "configure terminal ; interface eth1/2;
shutdown; sleep 2; show interface eth1/2 brief"
```

```
switch# run bash
bash-4.2$ vsh -c "configure terminal interface eth1/2 shutdown
sleep 2 show interface eth1/2 brief"
```

```
switch# run bash sudo su
bash-4.2$ vsh -c "configure terminal ; interface eth1/2;
shutdown; sleep 2; show interface eth1/2 brief"
```

```
switch# run bash sudo su
bash-4.2$ vsh -c "configure terminal ; interface eth1/2,
shutdown, sleep 2, show interface eth1/2 brief"
```

Will Run Successfully

Will Cause an Error

Correct Answer:

**Will Run Successfully**

```
switch# run bash
bash-4.2$ vsh -c "configure terminal ; interface eth1/2;
shutdown; sleep 2; show interface eth1/2 brief"
```

```
switch# run bash sudo su
bash-4.2$ vsh -c "configure terminal ; interface eth1/2;
shutdown; sleep 2; show interface eth1/2 brief"
```

Will Cause an Error

```
switch# run bash
bash-4.2$ vsh -c "configure terminal interface eth1/2 shutdown
sleep 2 show interface eth1/2 brief"
```

```
switch# run bash sudo su
bash-4.2$ vsh -c "configure terminal ; interface eth1/2,
shutdown, sleep 2, show interface eth1/2 brief"
```

QUESTION 3

An engineer troubleshoots a VXLAN EVPN data center. The applications in the data center fail to reach the DNS server that is located at IP 10.10.10.10. The engineer examines the BGP EVPN routing table and notes that the IP prefix route covers the DNS server is missing. Which action resolve the issue?

A. Set the IP prefix route to represent [5]:[0]:[0]:[32]:[10.10.10.10]/224 in the routing table.

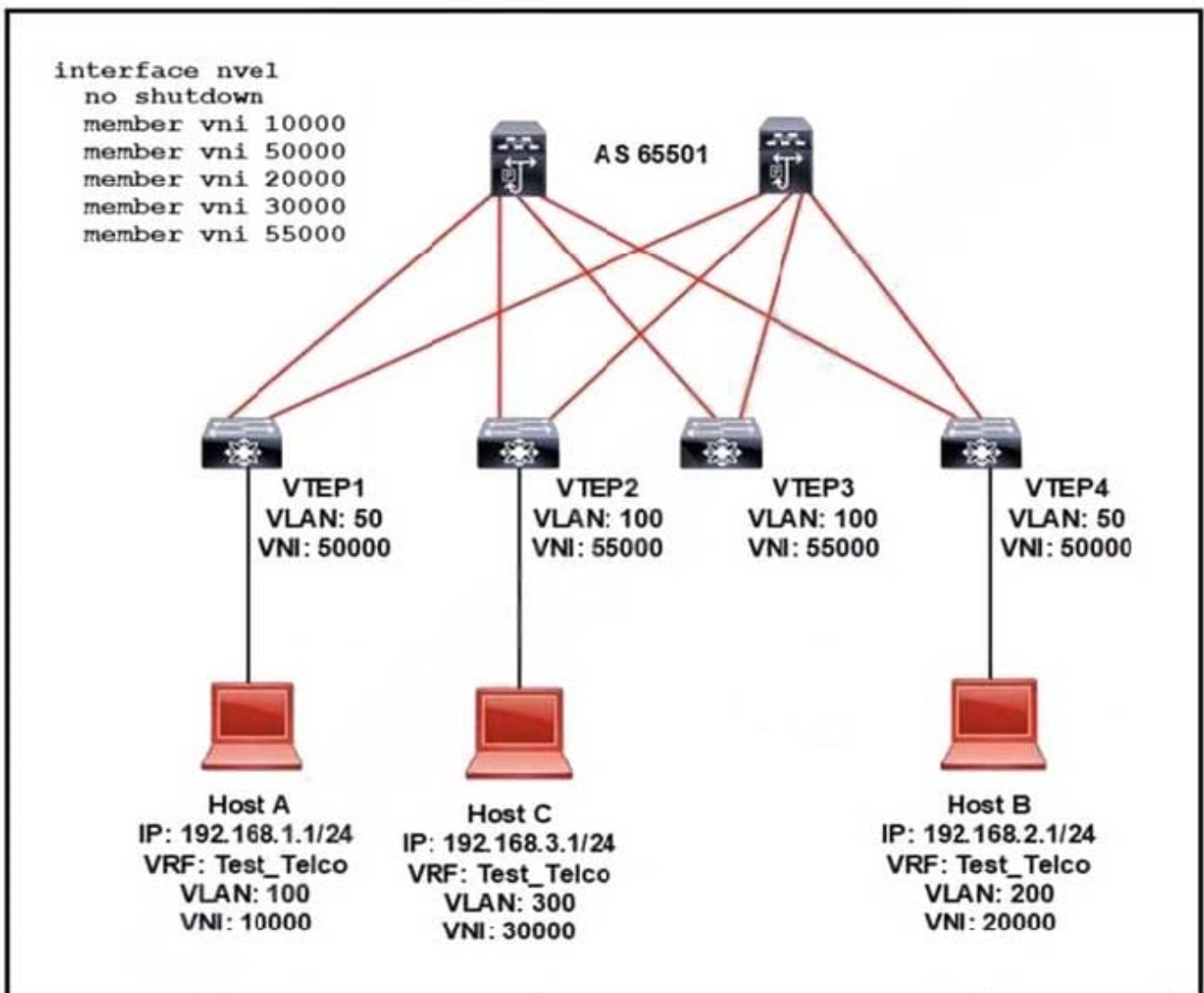


- B. Configure an IP ARP entry to represent [2]:[0]:[0]:[48]:[0050.569f.1285]:[32]:[10.10.10.10]/272 in the routing table
- C. Set the IP prefix route to represent [2]:[0]:[0]:[48]:[0050.569f.1285]:[0]:[0.0.0.0]/216 in the routing table
- D. Configure an IP ARP entry to represent [4]:[0300.0000.00fc.bd00.0309][32]:[10.10.10.10]/136,n the routing table

Correct Answer: A

QUESTION 4

Refer to the exhibit.



The VXLAN fabric is deployed with this configuration:

1. The VLAN 50 interface has no IP address on VTEP1 and VTEP4
- 2.



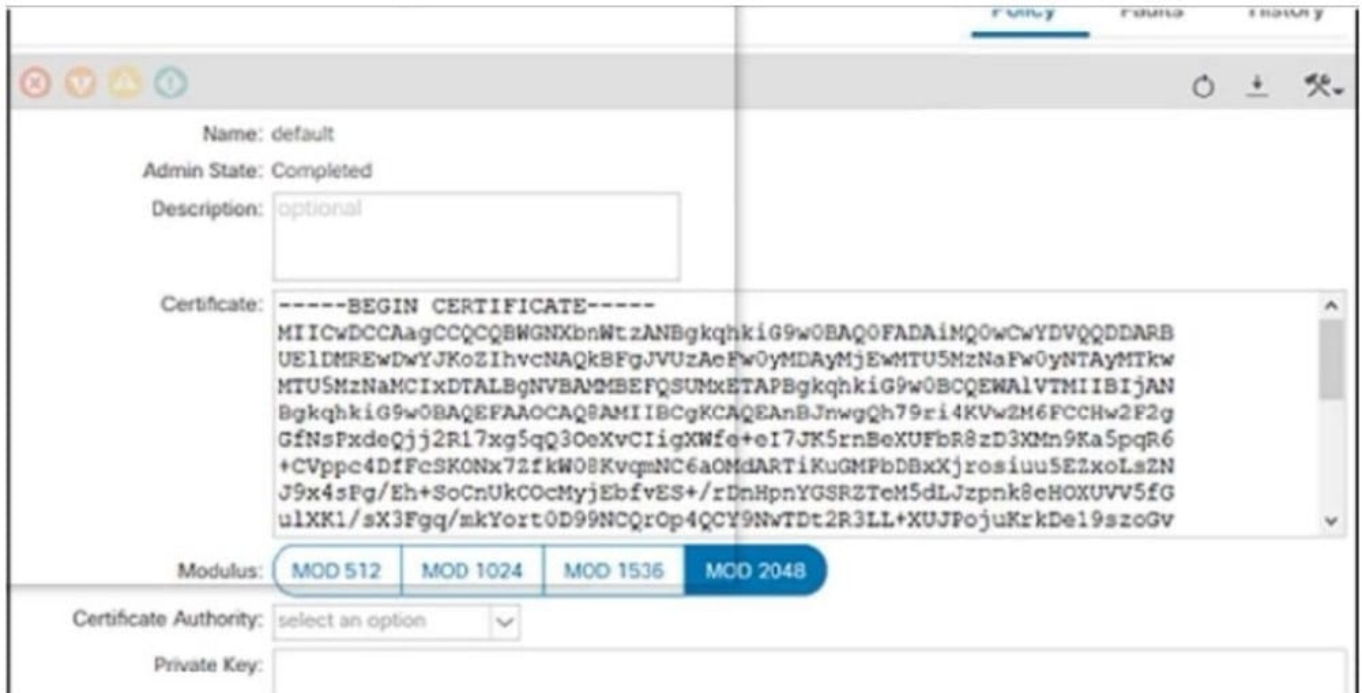
The VLAN 100 interface has no IP address on VTEP2 and VTEP3

- 3.
- The nve1 interface is configured on all VTEPs
- Host A experiences timeouts when attempting to ping host B. Which set of actions allows host A to reach host B?
- A. On VTEP1, associate VNI 50000 to Test_Telco VRF On VTEP4, associate VNI 50000 to Test_Telco VRF
 - B. On VTEP2, associate VNI 30000 to Test_Telco VRF On VTEP4, associate VNI 20000 to Test_Telco VRF
 - C. On VTEP1, associate VNI 30000 to Test_Telco VRF On VTEP4, associate VNI 20000 to Test Telco VRF
 - D. On VTEP2, associate VNI 55000 to Test_Telco VRF On VTEP4, associate VNI 50000 to Test_Telco VRF

Correct Answer: A

QUESTION 5

Refer to the exhibit.



A certificate is implemented on the security configuration on the Cisco ACI controller. A customer receives a "Connection Not Secure" error in a browser every time the customer logs in to the Cisco APIC GUI. Which action resolves the issue?

- A. Include a private key with the certificate.
- B. Use a browser that supports keys of 2048 bits.



C. Configure a corporate certificate authority for the certificate.

D. Add a 1536-bit key to the APIC GUI.

Correct Answer: C

QUESTION 6

Refer to the exhibit.

```
nx-os9000-1# show guestshell detail
Virtual service guestshell+ detail
  State                               : Activated
  Package information
    Name                               : guestshell.ova
    Path                               : /isanboot/bin/guestshell.ova
  Application
    Name                               : GuestShell
    Installed version                  : 2.4(0.0)
    Description                        : Cisco Systems Guest Shell
  Resource reservation
    Disk                               : 250 MB
    Memory                             : 256 MB
    CPU                                : 1% system CPU
```

```
nx-os9000-1# guestshell resize cpu 5
-- output omitted --
nx-os9000-1# guestshell resize rootfs 1500
-- output omitted --
```

```
nx-os9000-1# show guestshell detail
Virtual service guestshell+ detail
  State                               : Activated
  Package information
    Name                               : guestshell.ova
    Path                               : /isanboot/bin/guestshell.ova
  Application
    Name                               : GuestShell
    Installed version                  : 2.4(0.0)
    Description                        : Cisco Systems Guest Shell
  Resource reservation
    Disk                               : 250 MB
```

A network engineer deploys scripts to the guest shell of a Cisco Nexus switch. The scripts fail to operate properly due to



the limited CPU and file system resources that are assigned by default to the guest shell. The engineer allocated more memory and disk space to the guest shell, but the application continues to fail. Which action resolves the issue?

- A. Disable and enable bash shell
- B. Reboot the guest shell
- C. Redeploy the bash shell
- D. Upgrade the guest shell

Correct Answer: B

Reference: <https://www.ciscolive.com/c/dam/r/ciscolive/us/docs/2018/pdf/BRKDCN-2015.pdf>

QUESTION 7

Refer to the exhibit.

The screenshot displays the management interface for a Cisco UCS Fabric Interconnect. The 'Faults' tab is selected, showing a 'Fault Summary' with one failed fault (red X icon) and three warning faults (yellow triangle icons). The 'Status' section indicates the overall status is 'Failed' (red X icon) with the additional info 'SFP validation failed' and 'Admin State: Enabled'. The 'Physical Display' section shows a grid of ports, with port 15 highlighted in red, indicating a failure. A legend below the display shows: Green for 'Up', Yellow for 'Admin Down', Red for 'Fail', and Yellow for 'Link Down'. The 'Properties' section for port 15 shows 'ID: 15' and 'Slot ID: 1'.

When an engineer inserts 8-Gb Fibre Channel SFP port 15 on a Cisco UCS Fabric Interconnect, the port fails. What is causing this issue?

- A. Port 15 is configured as an Ethernet port.
- B. Port 15 is configured for 4-Gb Fibre Channel.
- C. Port 15 is missing a license.
- D. The polarity of the fiber cable is reversed.

Correct Answer: B

QUESTION 8



A Cisco UCS B-Series Blade Server is configured to boot a VMware ESXi host from an EMC VNX storage array by using a Fibre Channel SAN. The boot order is confirmed to be configured as expected, but the server fails to boot from the SAN. Which action resolves the problem?

- A. Set the boot LUN to the highest LUN ID in the storage array.
- B. Set the boot LUN to the lowest LUN ID in the storage array.
- C. Set the same WWNN pools for vHBA adapters.
- D. Set the same WWPN pools for vHBA adapters.

Correct Answer: C

QUESTION 9

Refer to the exhibit.

```
N9K# show interface vfc2
vfc2 is trunking
  Bound interface is Ethernet 101/1/2
  ...
  Port mode is TF
  Port vsan is 102
  Trunk vsans (admin allowed and active) (102)
  Trunk vsans (up) ( )
  Trunk vsans (isolated) ( )
  Trunk vsans (initializing) (102)
  ...

N9K# show lldp interface 101/1/2
Interface information:
  Enable (tx/rx/dcbx): Y/Y/Y   Port Mac address: ca:e9:f5:21:c2:0d
N9K# |
```

The FCoE traffic fails to traverse the vfc2 interface. The VSAN 102 is configured for vfc2. Which action resolves the issue?

- A. Enable LLDP on the interface vfc2
- B. Activate DCBX on the N9K switch
- C. Activate DCBX on the interface e101/1/2
- D. Enable LLDP on the neighbor switch

Correct Answer: D

**QUESTION 10**

Refer to the exhibit.

```
switch# guestshell resize cpu 4
Note: System CPU share will be resized on Guest shell enable
```

After the configuration is performed, the Guest shell continues to use 2% CPU. Which action resolves the issue?

- A. Resync the database
- B. Recreate the guestshell
- C. Reboot the guestshell
- D. Reboot the switch

Correct Answer: C

QUESTION 11

Refer to the exhibit.

```
key chain hsrp-keys
  key 0
    key-string 7 cisco123
    accept-lifetime 00:00:00 Jun 01 2018 23:59:59 Sep 01 2020
    send-lifetime 00:00:00 Jun 01 2018 23:59:59 Nov 01 2020
  key 1
    key-string 7 cisco456
    accept-lifetime 00:00:00 Oct 01 2018 23:59:59 Dec 12 2020
    send-lifetime 00:00:00 Sep 01 2018 23:59:59 Nov 01 2020
interface ethernet 1/1
  hsrp 11
    authenticate md5 key-chain hsrp-keys
```

28614: Feb 11 12:31:47.318 OTC: HSRP: V111 Grp 11 Hello out 10.10.10.2 Active pri 100 vIP 10.10.10.128615: Feb 11 12:31:48.568 UTC: HSRP: V111 Grp 11 Hello in 10.10.10.3 Active pri 110 vIP 10.10.10.128616: Feb 11 12:31:48.568 OTC: HSRP: v111 GrP 11 Auth failed for Hello pkt from 10.10.10.3, No key for this key ID28617: Feb 11 12:31:48.568 UTC: *HSRP-4-BADAUTH: Bad authentication from 10.10.10.3, group 11, remote state Active



A network engineer notices a sudden interruption to the HSRP adjacency between the switches. The packet loss is reported on the servers for which the default gateway is set as the virtual IP of the HSRP. All servers on the VLAN can exchange ping messages. Which configuration set must be applied on the HSRP peers to resolve the adjacency issue?

- A. key 0accept-lifetime 00:00:00 Oct 01 2018 23:59:59 Sep 01 2020
- B. key 0send-lifetime 00:00:00 Oct 01 2018 23:59:59 Sep 01 2020
- C. key 1send-lifetime 00:00:00 Jun 01 2018 23:59:59 Sep 01 2022
- D. key 1accept-lifetime 00:00:00 Jun 01 2018 23:59:59 Sep 01 2020

Correct Answer: D

QUESTION 12

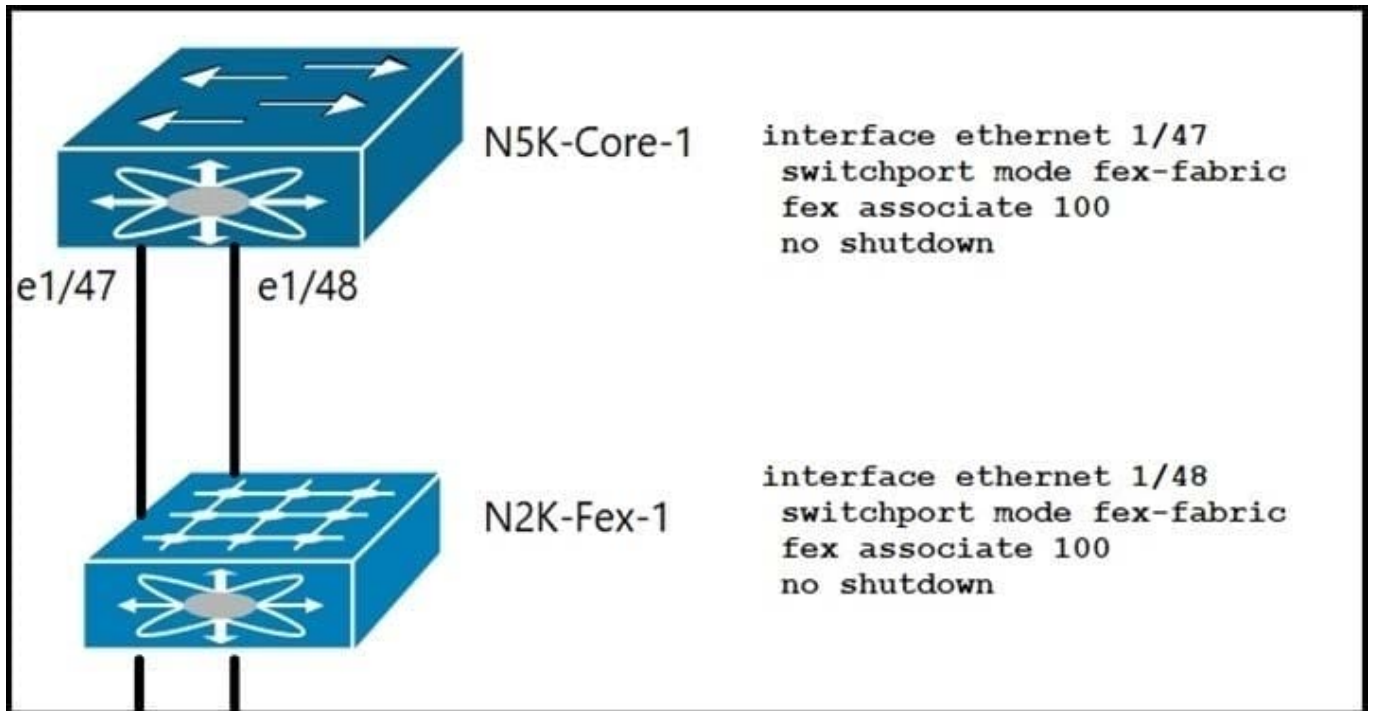
An engineer troubleshoots a failed DCBX exchange between a server and a Cisco Nexus switch. Which action allows DCBX to successfully negotiate?

- A. Enable ETS
- B. Enable PFC.
- C. Enable Cisco Discovery Protocol.
- D. Enable LLDP.

Correct Answer: D

QUESTION 13

Refer to the exhibit.



An engineer must connect N2K-Fex-1 and N5K-Core-1 so that the traffic flow between the two devices uses load balancing. After inspecting the statistics of the interconnecting interfaces, the engineer concludes that only one link is used. Which action resolves the problem?

- A. Configure source-destination load balancing on N5K-Core-1.
- B. Configure each uplink to be a member of a separate LACP port channel.
- C. Configure the pinning max-link as 2.
- D. Configure destination-mac load balancing on N5K-Core-1

Correct Answer: C

https://www.cisco.com/c/m/en_us/techdoc/dc/reference/cli/n5k/commands/pinning-max-links.html

pinning max-links

To specify the number of statically pinned uplinks, use the **pinning max-links** command. To reset to the default, use the **no** form of this command.

pinning max-links *uplinks*

no pinning max-links

Syntax Description

uplinks Number of uplinks. The range is from 1 to 8. The default is 1.

This command is applicable only if the Fabric Extender is connected to its parent switch using one or more statically pinned fabric interfaces.

Command Default

The default number of uplinks is 1.



VCE & PDF

Pass4itSure.com

<https://www.pass4itsure.com/300-615.html>

2024 Latest pass4itsure 300-615 PDF and VCE dumps Download

[Latest 300-615 Dumps](#)

[300-615 VCE Dumps](#)

[300-615 Brindumps](#)