



300-630^{Q&As}

Implementing Cisco Application Centric Infrastructure - Advanced
(DCACIA)

Pass Cisco 300-630 Exam with 100% Guarantee

Free Download Real Questions & Answers **PDF** and **VCE** file from:

<https://www.pass4itsure.com/300-630.html>

100% Passing Guarantee
100% Money Back Assurance

Following Questions and Answers are all new published by Cisco
Official Exam Center

- ⚙️ **Instant Download** After Purchase
- ⚙️ **100% Money Back** Guarantee
- ⚙️ **365 Days** Free Update
- ⚙️ **800,000+** Satisfied Customers



**QUESTION 1**

A customer is deploying a new application across two ACI pods that is sensitive to latency and jitter. The application sets the DSCP values of packets to AF31 and CS6, respectively. Which configuration changes must be made on the APIC to support the new application and prevent packets from being delayed or dropped between pods?

- A. disable DSCP translation policy
- B. align the ACI QoS levels and IPN QoS policies
- C. disable DSCP mapping on the IPN devices
- D. align the custom QoS policy on the EPG site in the customer tenant

Correct Answer: D

Reference: <https://www.ciscolive.com/c/dam/r/ciscolive/emea/docs/2019/pdf/BRKACI-2210.pdf>

QUESTION 2

An engineer deployed a Cisco ACI fabric and noticed that the fabric learns endpoints from subnets that are not configured on a bridge domain. To meet strict security requirements, the engineer must prevent this behavior. Which action must be taken to prevent this behavior?

- A. Activate Enable Data Plane Endpoint Learning
- B. Implement Pervasive Gateway
- C. Configure Static Binding
- D. Enable Enforce Subnet Check

Correct Answer: D

QUESTION 3

An engineer must allow routes learned from one L3Out to be advertised out another L3Out. The engineer does not have an explicit list of all the routes that must be advertised out, however, they know that they are all part of the 10.16.0.0/16 CIDR block. Which attributes must be selected under Ext-EPG to allow the necessary routes to be advertised out?

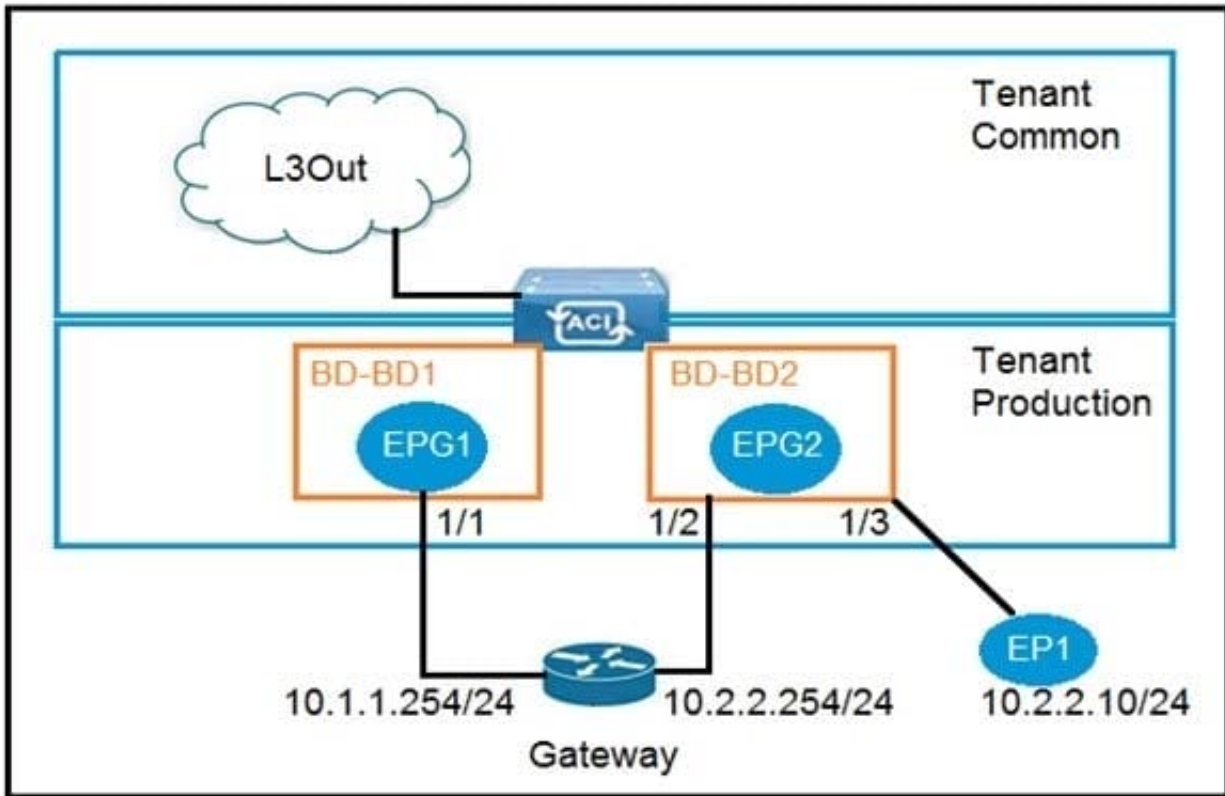
- A. Enable Export Route Control Subnet and enable Aggregate Export
- B. Disable Shared Route Control Subnet and enable Aggregate Shared Routes
- C. Enable Export Route Control Subnet and disable Aggregate Shared Routes
- D. Enable Export Route Control Subnet and enable Shared Route Control Subnet

Correct Answer: A



Reference: https://www.cisco.com/c/en/us/td/docs/switches/datacenter/aci/apic/sw/1-x/ACI_Best_Practices/b_ACI_Best_Practices/b_ACI_Best_Practices_chapter_01001.html

QUESTION 4

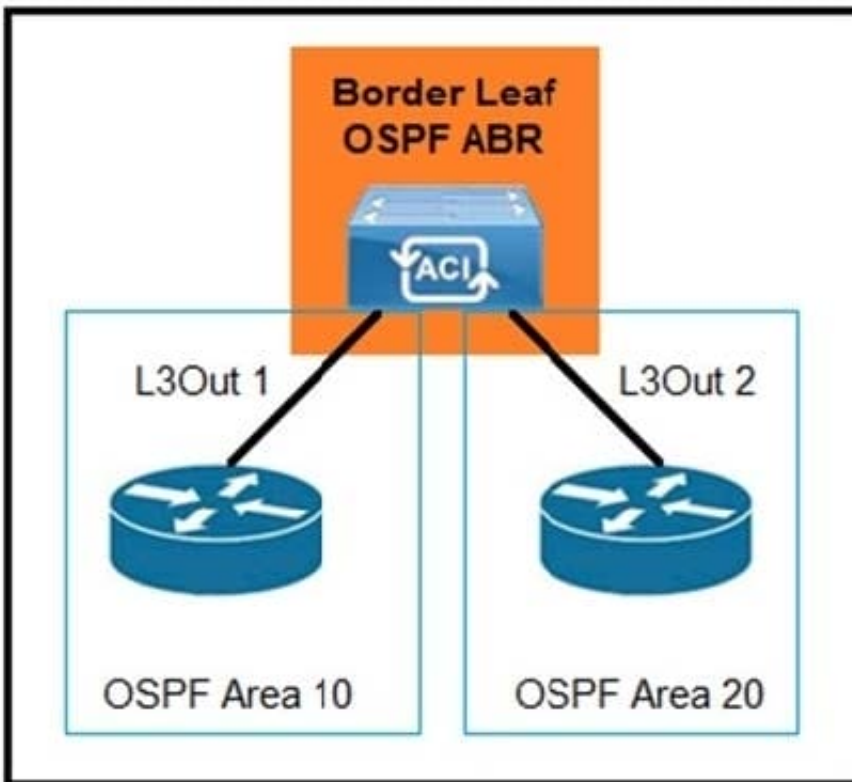


Refer to the exhibit. An engineer wants to avoid connectivity problems for the endpoint EP1 when it reaches an external L3Out network through the gateway 10.2.2.254/24. Which two configurations must be implemented in BD-BD2? (Choose two.)

- A. Disable unicast routing
- B. Enable IP data plane learning for the VRF
- C. Disable ARP flooding
- D. Enable ARP flooding
- E. Enable unicast routing

Correct Answer: AC

QUESTION 5



Refer to the exhibit. Which configuration must be implemented to allow intra-VRF transit routing between the two external routers?

- A. Deploy both areas under the same L3Out policy
- B. Change one of the areas to area 0
- C. Configure OSPF virtual links
- D. Modify L3Out 1 to use the same OSPF area as L3Out 2

Correct Answer: A

QUESTION 6

Which two components must be configured as stretched to establish intra-VRF communication between two EPGs that are deployed in different sites and different bridge domains? (Choose two.)

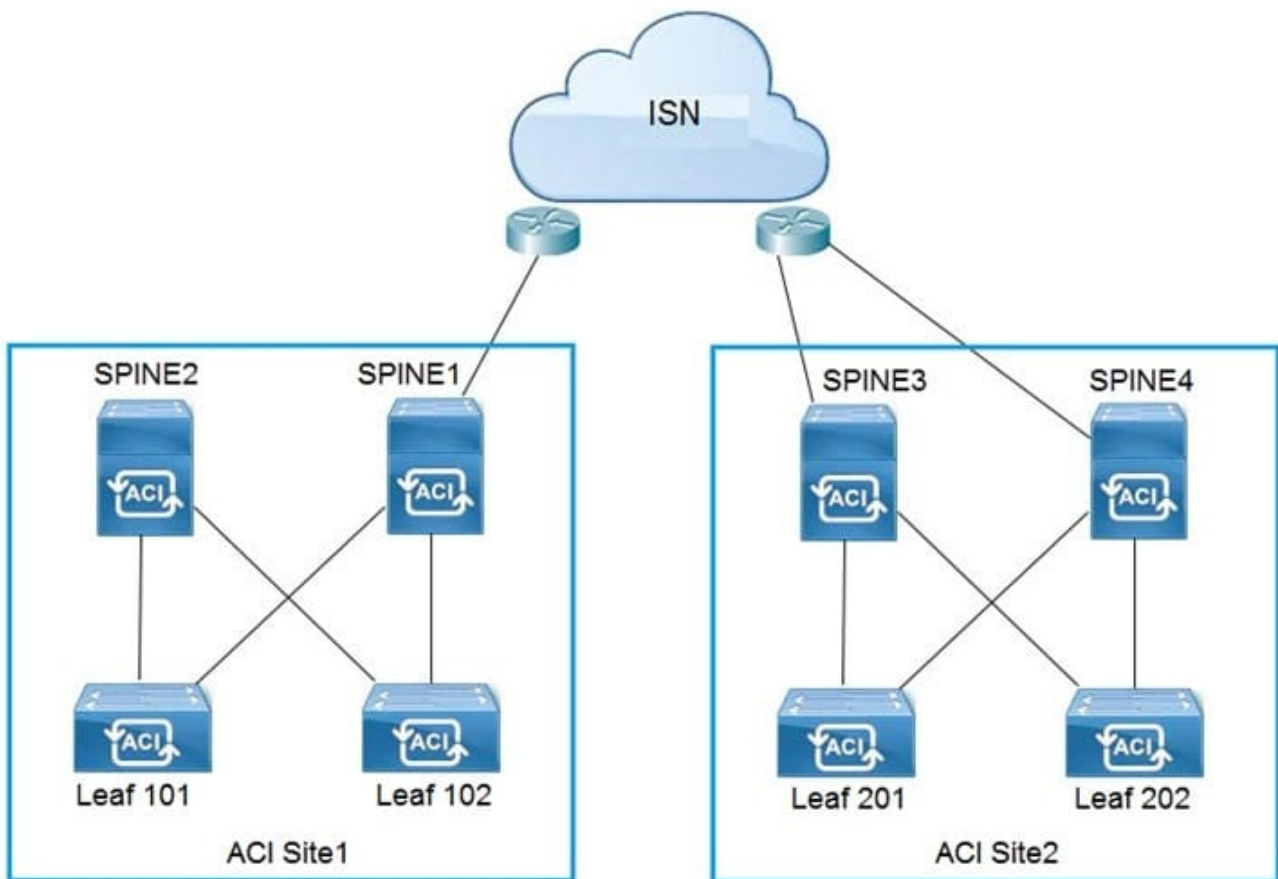
- A. contract
- B. tenant
- C. application profile
- D. bridge domain
- E. EPG



Correct Answer: DE

Reference: <https://www.cisco.com/c/en/us/solutions/collateral/data-center-virtualization/application-centric-infrastructure/white-paper-c11-739609.html>

QUESTION 7



Refer to the exhibit. Which two configuration steps are required in ISN for Cisco ACI Multi-Site setup? (Choose two.)

- A. Connect Spine2 to ISN routers.
- B. Configure BIDIR-PIM throughout the ISN
- C. Increase ISN MTU to support the maximum MTU that is sent by endpoints
- D. Configure OSPF between spines and ISN routers
- E. Enable IGMPv3 on ISN routers

Correct Answer: DE

QUESTION 8



Which approach does Cisco ACI use to achieve multidestination packet forwarding between leaf switches in the same fabric?

- A. Map VXLAN VTEP to the multicast group
- B. Map VXLAN to PIM-SM protocol
- C. Map VXLAN VNI to the multicast group
- D. Map VXLAN to PIM-DM protocol

Correct Answer: C

QUESTION 9

What are two characteristics of network-centric design in Cisco ACI? (Choose two.)

- A. There is open communication between EPGs
- B. EPGs are used for microsegmentation
- C. EPGs are different security zones
- D. Applications define the network requirements
- E. A bridge domain has one subnet and one EPG

Correct Answer: BE

QUESTION 10

An engineer designs a Cisco ACI Multi-Pod solution that requires a pair of active-standby firewalls in different pods for external connectivity. How should the firewalls be implemented?

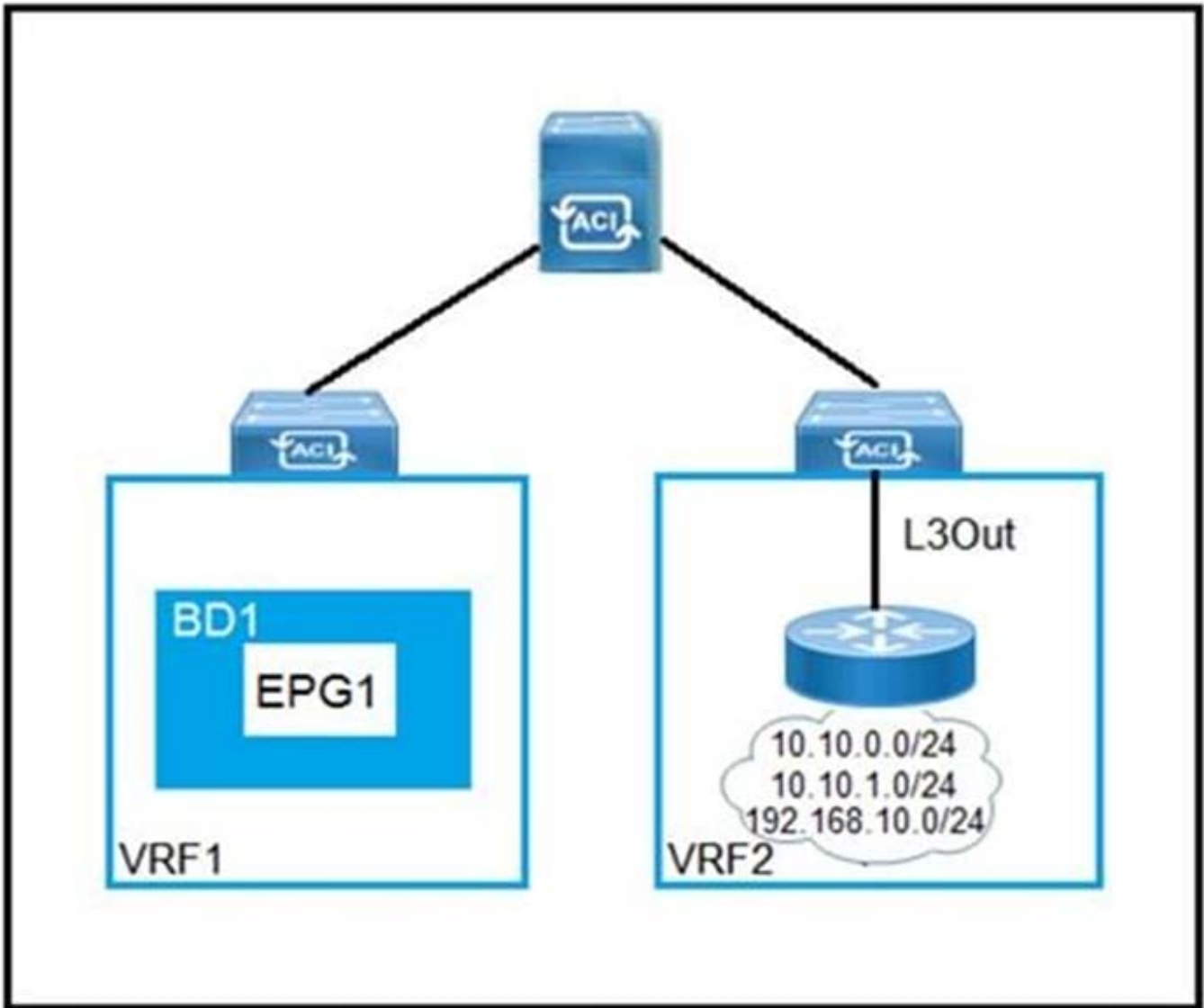
- A. PBR for routed firewalls
- B. separate L3Out peerings for routed firewalls
- C. routed firewall for the default gateway
- D. transparent firewalls

Correct Answer: D

Reference: <https://www.cisco.com/c/en/us/solutions/collateral/data-center-virtualization/application-centric-infrastructure/white-paper-c11-739571.html>

QUESTION 11

DRAG DROP



Refer to the exhibit. Drag and drop the subnets and flags from the left into the External Network Instance Profile policies on the right to create a setup that advertises only 10.10.0.0/24 and 10.10.1.0/24 prefixes in VRF1 and establishes connectivity between VRFs. Not all options are used.

Select and Place:



Answer Area

- 10.10.0.0/16
- 10.10.0.0/23
- 0.0.0.0/0
- External Subnets for the External EPG
- Export Route Control Subnet
- Shared Route Control Subnet
- Import Route Control Subnet
- Shared Security Import Subnet
- Aggregate Export
- Aggregate Import
- Aggregate Shared

IP Address

IP Address

Scope

Scope 1

Scope 2

Scope 3

Aggregate

Aggregate

Correct Answer:



Answer Area

10.10.0.0/23
0.0.0.0/0
Export Route Control Subnet
Import Route Control Subnet
Aggregate Export
Aggregate Import

IP Address
10.10.0.0/16
Scope
Shared Route Control Subnet
Shared Security Import Subnet
External Subnets for the External EPG
Aggregate
Aggregate Shared

QUESTION 12

An organization expands a Cisco ACI Multi-Pod from two to six pods and must ensure that the control plane scales. What should be configured in the IPN to ensure that BUM traffic is forwarded efficiently across the IPN?

- A. spine headend replication
- B. BIDIR-PIM
- C. MP-BGP



D. MSDP

Correct Answer: B

Reference: <https://www.cisco.com/c/en/us/solutions/collateral/data-center-virtualization/application-centric-infrastructure/white-paper-c11-737855.html>

QUESTION 13

Which feature should be disabled on a bridge domain when a default gateway for endpoints is on an external device instead of a Cisco ACI bridge domain SVI?

- A. unicast routing
- B. ARP flooding
- C. unknown unicast flooding
- D. proxy ARP

Correct Answer: C

[300-630 PDF Dumps](#)

[300-630 Practice Test](#)

[300-630 Study Guide](#)